

# FITTING INSTRUCTIONS

TO BE FITTED BY A QUALIFIED TECHNICIAN

## BRAKE LEVER GUARDS FOR AFTERMARKET BARS

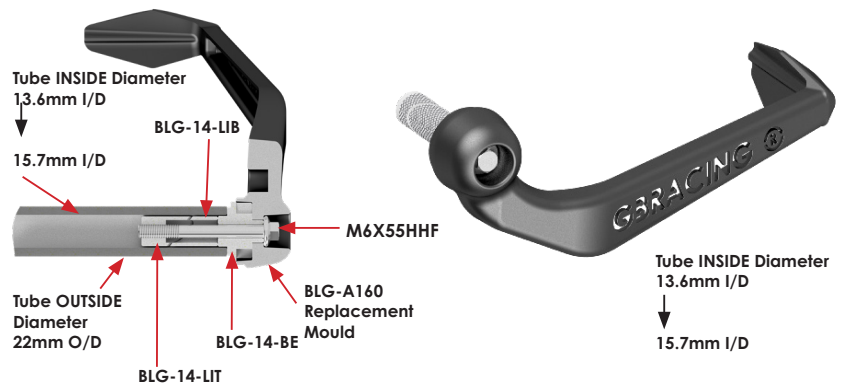
PART NUMBERS INCLUDED ON THIS SHEET:

BLG-14-A160-GBR / BLG-14-S5-A160-GBR / BLG-16-A160-GBR / BLG-16-14-A160-GBR / BLG-18-A160-GBR  
BLG-A160 (moulded part only) / BLG-A140 (moulded part only)

### BRAKE LEVER GUARD WITH 14mm INSERT (Fits tube inside diameters from 13.6mm to 15.7mm) PART NO. BLG-14-A160-GBR

- 1 Remove existing bar end and replace with supplied bar end.
- 2 Tighten bolt until the lever protector is tight and does not move up or down under normal pressure.
- 3 Do not ride if you are unsure if it is tight enough and always get a trained technician to confirm.

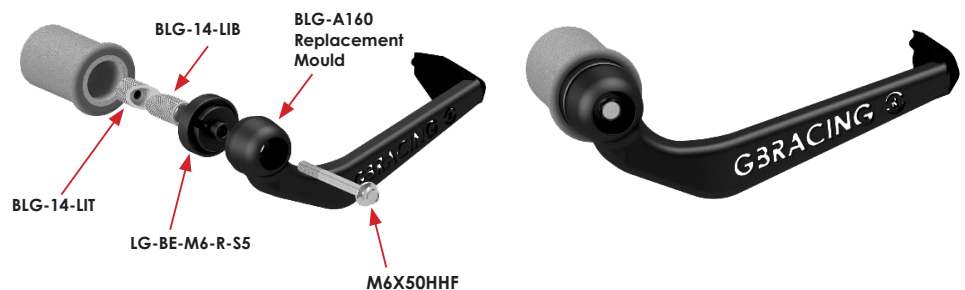
*Please note:* We recommend to use a medium thread lock (not supplied) for correct operation.



### BRAKE LEVER GUARD WITH 14mm INSERT PART NO. BLG-14-S5-A160-GBR

- 1 Remove existing bar end and replace with supplied bar end.
- 2 Tighten bolt until the lever protector is tight and does not move up or down under normal pressure.
- 3 Do not ride if you are unsure if it is tight enough and always get a trained technician to confirm.

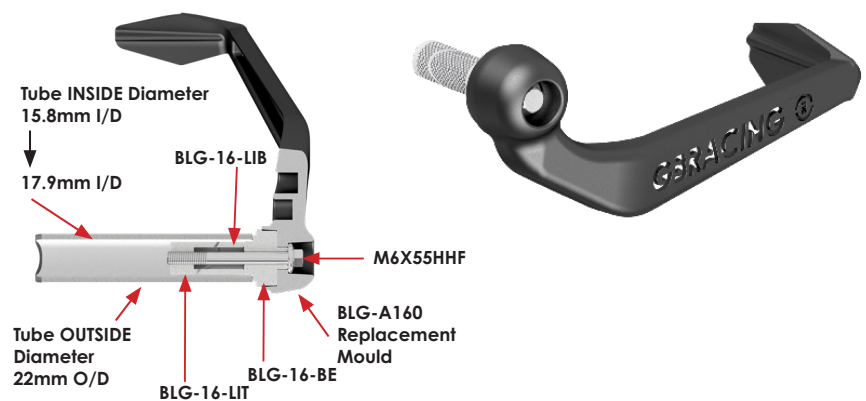
*Please note:* We recommend to use a medium thread lock (not supplied) for correct operation.



### BRAKE LEVER GUARD WITH 16mm INSERT (Fits tube inside diameters from 15.8mm to 17.9mm) PART NO. BLG-16-A160-GBR

- 1 Remove existing bar end and replace with supplied bar end.
- 2 Tighten bolt until the lever protector is tight and does not move up or down under normal pressure.
- 3 Do not ride if you are unsure if it is tight enough and always get a trained technician to confirm.

*Please note:* We recommend to use a medium thread lock (not supplied) for correct operation.



# FITTING INSTRUCTIONS

TO BE FITTED BY A QUALIFIED TECHNICIAN

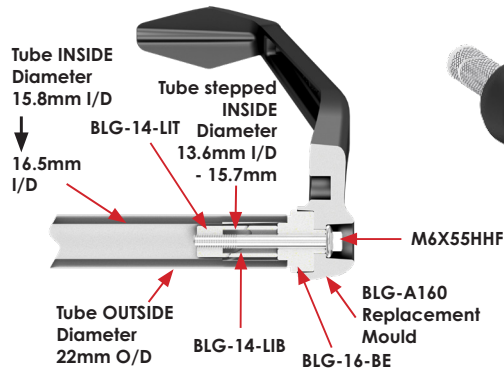
## BRAKE LEVER GUARD WITH 16mm BAR END WITH A 14mm INSERT

### PART NO. BLG-16-14-A160-GBR

(Fits tube inside diameters from 15.8mm to 16.5mm with a smaller stepped internal diameter of 13.6-15.7mm)

- 1 Remove existing bar end and replace with supplied bar end.
- 2 Tighten bolt until the lever protector is tight and does not move up or down under normal pressure.
- 3 Do not ride if you are unsure if it is tight enough and always get a trained technician to confirm.

Please note: We recommend to use a medium thread lock (not supplied) for correct operation.

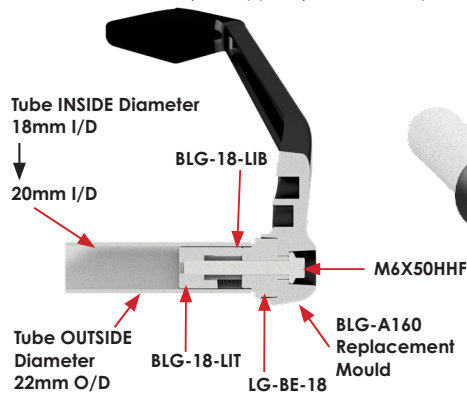


## BRAKE LEVER GUARD WITH 18mm INSERT (Fits tube inside diameters from 18mm to 20mm)

### PART NO. BLG-18-A160-GBR

- 1 Remove existing bar end and replace with supplied bar end.
- 2 Tighten bolt until the lever protector is tight and does not move up or down under normal pressure.
- 3 Do not ride if you are unsure if it is tight enough and always get a trained technician to confirm.

Please note: We recommend to use a medium thread lock (not supplied) for correct operation..



**BRAKE LEVER GUARD, A160 MOULDED REPLACEMENT PART ONLY**  
**PART NO. BLG-A160**

**This is to be used with the GBRacing bar end and insert**

- 1 Remove existing bar end and replace with supplied bar end.
- 2 Tighten bolt until the lever protector is tight and does not move up or down under normal pressure.
- 3 Do not ride if you are unsure if it is tight enough and always get a trained technician to confirm.



**BRAKE LEVER GUARD, A140 MOULDED REPLACEMENT PART ONLY**  
**PART NO. BLG-A140**

**This is to be used with the GBRacing bar end and insert**

- 1 Remove existing bar end and replace with supplied bar end.
- 2 Tighten bolt until the lever protector is tight and does not move up or down under normal pressure.
- 3 Do not ride if you are unsure if it is tight enough and always get a trained technician to confirm.

