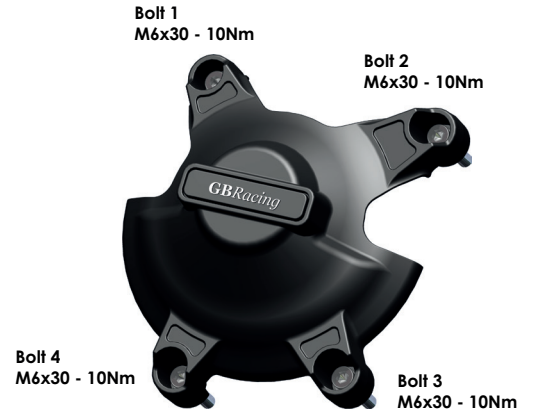
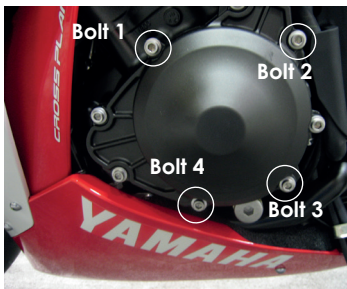


**THIS SHEET INCLUDES FITTING INSTRUCTIONS FOR THE FOLLOWING PARTS:**

Secondary Alternator Cover Part No. EC-R1-2009-1-GBR / Secondary Alternator Cover KIT Part No. EC-R1-2009-1-K-GBR /  
Secondary Clutch Cover Part No. EC-R1-2009-2-GBR / Secondary Pulse Cover Part No. EC-R1-2009-3-GBR

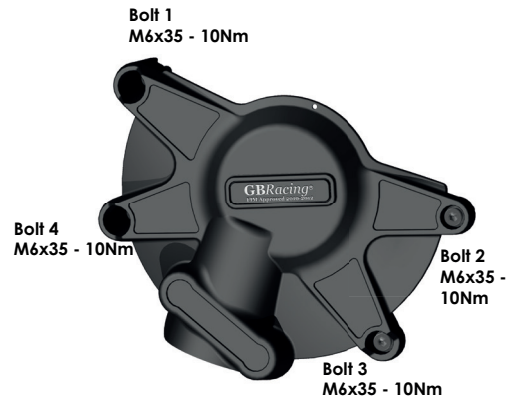
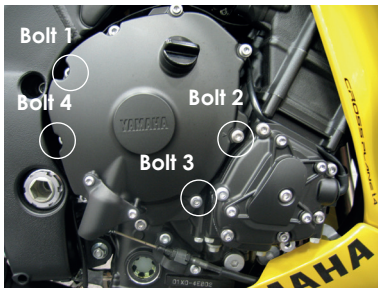
**SECONDARY ALTERNATOR COVER PART NO. EC-R1-2009-1-GBR**

- 1 Remove 4 existing bolts from the stock Alternator cover, shown as position Bolt 1, 2, 3 & 4.
- 2 Place the Secondary Alternator Cover over the stock cover.
- 3 Assemble 4 replacement bolts loosely in the correct position as shown.
- 4 Tighten bolts to a Torque of 10Nm as per manufacturers recommendations.  
DO NOT OVERTIGHTEN.



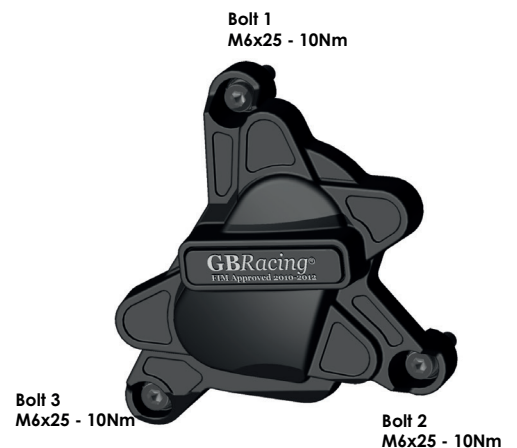
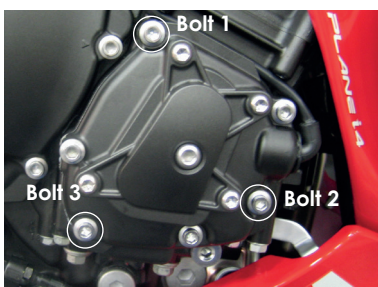
**SECONDARY CLUTCH COVER PART NO. EC-R1-2009-2-GBR**

- 1 Remove 4 existing bolts from the stock Clutch cover, shown as position Bolt 1, 2, 3 & 4.
- 2 Place the Secondary Clutch Cover over the stock cover.
- 3 Assemble 4 replacement bolts loosely in the correct position as shown.
- 4 Tighten bolts to a Torque of 10Nm as per manufacturers recommendations.  
DO NOT OVERTIGHTEN.



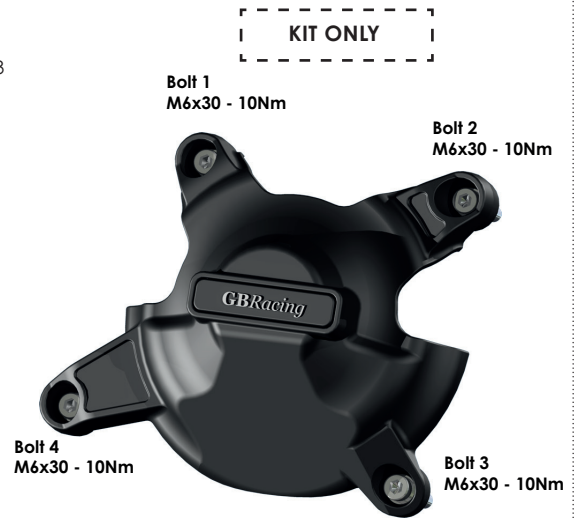
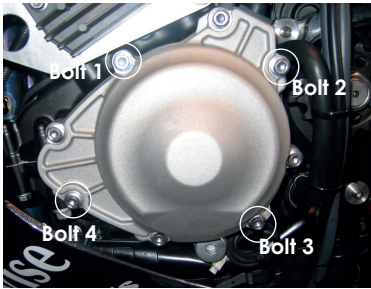
**SECONDARY PULSE COVER PART NO. EC-R1-2009-3-GBR**

- 1 Remove 3 existing bolts from the stock Pulse cover, shown as position Bolt 1, 2, & 3.
- 2 Place the Secondary Pulse Cover over the stock cover.
- 3 Assemble 3 replacement bolts loosely in the correct position as shown.
- 4 Tighten bolts to a Torque of 10Nm as per manufacturers recommendations.  
DO NOT OVERTIGHTEN.



**SECONDARY ALTERNATOR COVER - KIT - PART NO. EC-R1-2009-1-K-GBR**

- 1 Remove 4 existing bolts from the stock Alternator cover, shown as position Bolt 1, 2, 3 & 4.
- 2 Place the Secondary Alternator Cover over the stock cover.
- 3 Assemble 4 replacement bolts loosely in the correct position as shown.
- 4 Tighten bolts to a Torque of 10Nm as per manufacturers recommendations.



**SETS & BUNDLE:**

**Engine Cover Set STOCK EC-R1-2009-SET-GBR:** EC-R1-2009-1-GBR, EC-R1-2009-2-GBR, EC-R1-2009-3-GBR

**Engine Cover Set KIT EC-R1-2009-SET-K-GBR:** EC-R1-2009-1-K-GBR, EC-R1-2009-2-GBR, EC-R1-2009-3-GBR

**Engine Protection Bundle STOCK CP-R1-2009-CS-GBR:** EC-R1-2009-1-GBR, EC-R1-2009-2-GBR, EC-R1-2009-3-GBR, BA12-6-GBR-SET

**Engine Protection Bundle KIT CP-R1-2009-CS-K-GBR:** EC-R1-2009-1-K-GBR, EC-R1-2009-2-GBR, EC-R1-2009-3-GBR, BA12-6-GBR-SET