

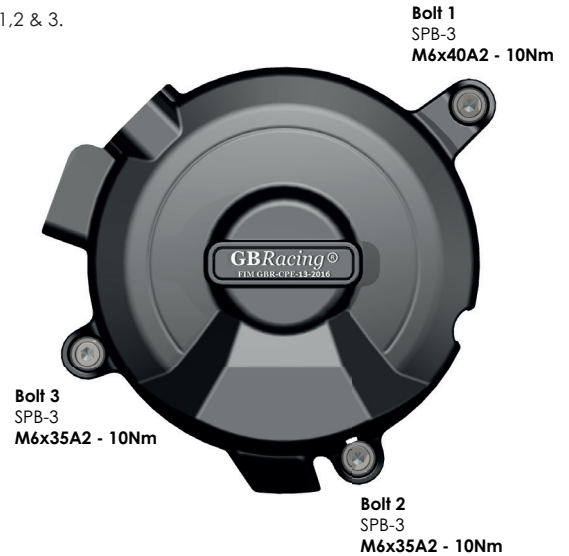
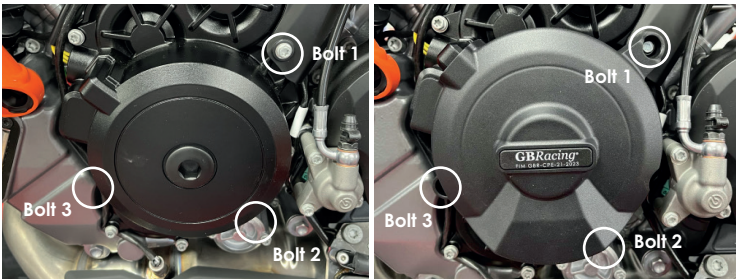
THIS SHEET INCLUDES FITTING INSTRUCTIONS FOR THE FOLLOWING PARTS:

Secondary Alternator Cover Part No. EC-1390-2024-1-GBR /

Secondary Clutch Cover Part No. EC-1390-2024-2-GBR

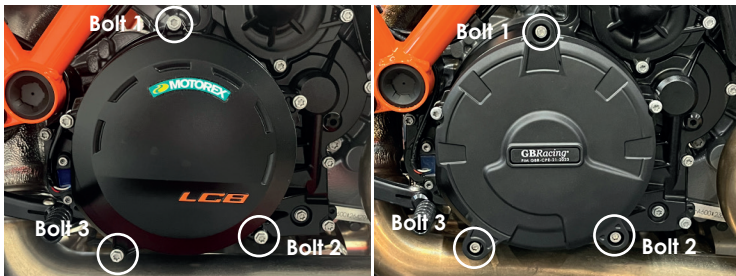
SECONDARY ALTERNATOR COVER PART NO. EC-1390-2024-1-GBR

- 1 Remove side fairing.
- 2 Remove 3 existing bolts from the stock Alternator cover, shown as position Bolt 1, 2 & 3.
- 3 Place the Secondary Alternator Cover over the stock cover.
- 4 Assemble 3 replacement bolts loosely in the correct position as shown.
- 5 Tighten bolts to a Torque of 10Nm as per Manufacturer's recommendations.
DO NOT OVERTIGHTEN.



SECONDARY CLUTCH COVER PART NO. EC-1390-2024-2-GBR

- 1 Remove 3 existing bolts from the stock Clutch cover, shown as position Bolt 1, 2 & 3.
- 2 Place the Secondary Clutch Cover over the stock cover.
- 3 Assemble 3 replacement bolts loosely in the correct position as shown.
- 4 Tighten bolts to a Torque of 10Nm as per Manufacturer's recommendations.
DO NOT OVERTIGHTEN.



www.GBRacing.eu

Engine Cover Set: EC-1390-2024-SET-GBR

EC-1390-2024-1-GBR, EC-1390-2024-2-GBR