

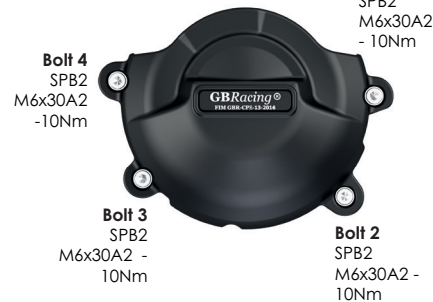
**THIS SHEET INCLUDES FITTING INSTRUCTIONS FOR THE FOLLOWING PARTS:**

Alternator Cover Part No. EC-R6-2008-1-GBR / Secondary Alternator and Oil Pressure Sensor Cover (Race bikes) /  
Secondary Clutch Cover Part No. EC-R6-2008-2-GBR / Secondary Pulse Cover Part No. EC-R6-2008-3-GBR / Secondary Alternator Cover  
KIT Part No. EC-R6-2008-1-K-GBR / Bullet Frame Race Slider Set Part No. FS-R6-2006-R / Bullet Frame Race Slider Set Part No. FS-R6-2006-S /  
Paddock Stand / Bobbin Set Part No. BA12-6-GBR-SET / Lower Chain Guard Part No. CGA10-GBR

**SECONDARY ALTERNATOR COVER – PART NO. EC-R6-2008-1-GBR**

**Please note: 2017-2020 models:** the small metal cover at the bottom of the alternator will need to be removed and a replacement bolt M6X25A2 will need to be added in the location between bolt position 2 & 3. Please add this bolt to your order separately as this will not be included when ordering this part.

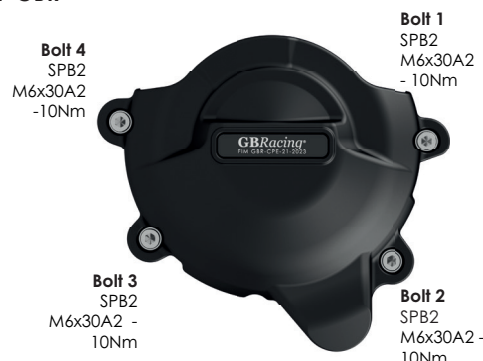
- 1 Remove the fairing.
- 2 Remove 4 existing bolts from the stock alternator cover, shown as bolt positions 1, 2, 3 & 4.
- 3 Place the secondary alternator cover over the stock cover.
- 4 Assemble 4 M6X30A2 replacement bolts loosely in correct position as shown.
- 5 Tighten all 4 bolts to a torque of 10 N/m as per manufacturer's recommendations. **DO NOT OVERTIGHTEN**
- 6 Refit the fairing.



**SECONDARY ALTERNATOR & OIL PRESSURE SENSOR COVER – PART NO. EC-R6-2017-1-GBR**

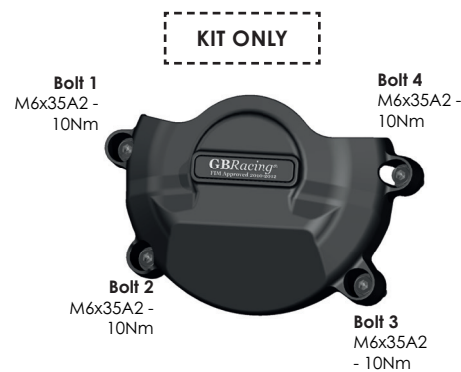
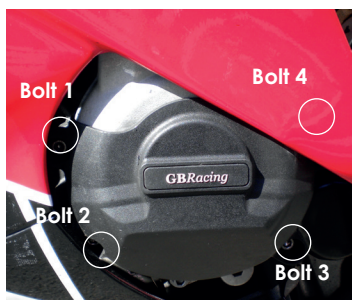
**THIS COVER IS USED FOR RACE BIKES**

- 1 Remove the fairing.
- 2 Remove 4 existing bolts from the stock alternator cover, shown as bolt positions 1, 2, 3 & 4.
- 3 Place the secondary alternator cover over the stock cover.
- 4 Assemble 4 M6X30A2 replacement bolts loosely in correct position as shown.
- 5 Tighten all 4 bolts to a torque of 10 N/m as per manufacturer's recommendations. **DO NOT OVERTIGHTEN**
- 6 Refit the fairing.



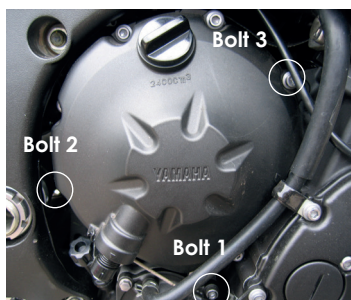
**SECONDARY ALTERNATOR COVER – KIT – PART NO. EC-R6-2008-1-K-GBR**

- 1 Remove the Fairing.
- 2 Remove 4 off existing bolts on the KIT Alternator cover
- 3 Place the Secondary KIT Alternator cover over the OE alternator cover. Loosely screw down Bolt position 1 (Note: the moulded cover may need to be pushed to aid alignment), then bolts 2, 3 & 4 using the supplied M6X35A2mm replacement bolts.
- 4 Tighten all 4 bolts to a torque of 10 N/m as per manufacturer's recommendations. **DO NOT OVERTIGHTEN**
- 5 Refit the fairing.



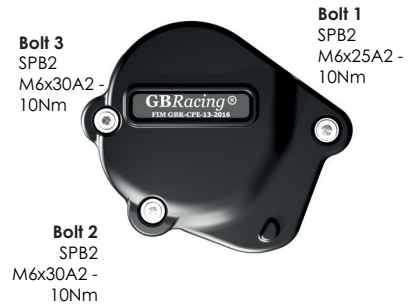
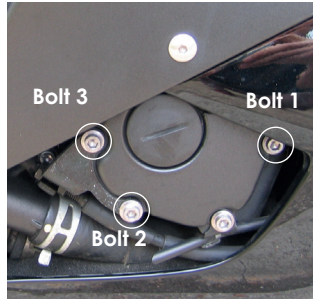
**SECONDARY CLUTCH COVER – PART NO. EC-R6-2008-2-GBR**

- 1 Remove the Fairing.
- 2 Remove 3 off existing bolts on the aluminium Clutch cover, corresponding to the Secondary Engine Clutch Cover. Shown as bolt positions 1, 2 & 3.
- 3 Place the secondary clutch cover over the stock clutch cover. Loosely screw down Bolt position 1 FIRST (Note: the moulded cover may need to be pushed to aid alignment), then bolts 2 & 3 using the supplied M6X50A2 & M6X35A2mm replacement bolts.
- 4 Tighten all 3 bolts to a torque of 10 N/m as per manufacturer's recommendations. **DO NOT OVERTIGHTEN**
- 5 Refit the fairing.



**SECONDARY PULSE COVER – PART NO. EC-R6-2008-3-GBR**

- 1 Remove the fairing.
- 2 Remove 3 existing bolts from the stock pulse cover, shown as bolt positions 1, 2, & 3.
- 3 Place the secondary pulse cover over the stock cover, holding the clutch cable steel bracket in place. Loosely screw down Bolts 2 & 3 with the supplied replacement M6X30A2 Bolts, lining up the steel bracket. Then the remaining supplied replacement M6X25A2mm bolt.
- 4 Tighten all 3 bolts to a torque of 10 N/m as per manufacturer's recommendations. **DO NOT OVERTIGHTEN**
- 5 Refit the fairing.



**Please note: BULLET FRAME SLIDERS:**

Nearside/offside fairing may require drilling dependent the manufacture year of bike. If you cannot see your forward engine mount, drilling may be required.

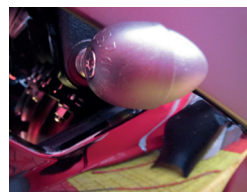
**BULLET FRAME SLIDER - RIGHT HAND SIDE - RACE - PART NO. FS-R6-2006-RHS-R**



**INSTRUCTIONS FOR THESE PARTS:**

1. Remove front engine mounting bolt, located through the fairing opening.
- 2 Assemble bolt through the aluminium bush into correct position.

**BULLET FRAME SLIDER - LEFT HAND SIDE - RACE - PART NO. FS-R6-2006-LHS-R**



- 3 Tighten to 25NM torque.
- 4 Slide bullet moulding onto aluminium bush.
- 5 Screw M6 bolt into front of bullet moulding hand tight.

**BULLET FRAME SLIDER - RIGHT HAND SIDE - STREET – PART NO. FS-R6-2006-RHS-S**



**INSTRUCTIONS FOR THESE PARTS:**

1. Remove front engine mounting bolt, located through the fairing opening.
- 2 Assemble bolt through the aluminium bush into correct position.

**BULLET FRAME SLIDER - LEFT HAND SIDE - STREET – PART NO. FS-R6-2006-LHS-S**



- 3 Tighten to 25NM torque.
- 4 Slide bullet moulding onto aluminium bush.
- 5 Screw M6 bolt into front of bullet moulding hand tight.

**LOWER CHAIN GUARD – PART NO. CGA10-GBR**

- 1 Assemble 2 bolts and washers through the lower chain guard into the Black Anodised aluminium mounting block CGA10-2.
- 2 Position the assembly underneath the swing arm, closing the gap to the rear sprocket. Note: There should be a 5mm minimum gap from the bike chain to the lower chain guard.
- 3 Mark off the chosen hole positions.
- 4 Drill & Tap the marked holes , M6 - (Drill 5mm Dia. for tapping)
- 5 Disassemble the Black Anodised block from the assembly, and mount the block to the underside of the swing arm using the remaining 2 bolts and washers.
- 6 Re-assemble the lower chain guard to the fixed bracket.



**2 x Bolts & Washers**  
M6x20 - 10Nm



**PADDOCK STAND / BOBBIN SET - PART NO. BA12-6-GBR-SET**

- 1 Assemble M6 x 40mm Bolt & M6 Washer through the moulded bobbin.
- 2 Tighten bolts to swing arm boss, 8 Nm.  
**DO NOT OVERTIGHTEN**

