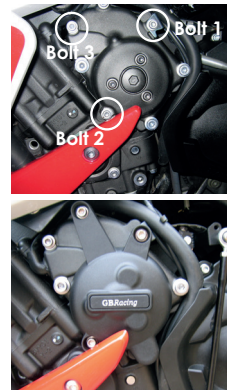


**THIS SHEET INCLUDES FITTING INSTRUCTIONS FOR THE FOLLOWING PARTS:**

Secondary Alternator Cover Part No. EC-R1-2007-1-GBR / Secondary Clutch Cover Part No. EC-R1-2007-2-GBR /  
Secondary Pulse Cover Part No. EC-R1-2007-3-GBR / Secondary Crank Cover Part No. EC-R1-2007-4-GBR  
Frame Sliders/Crash Mushrooms Set Part No. CP-R1-2007-SET-GBR

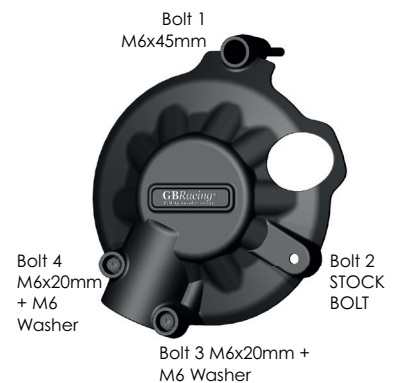
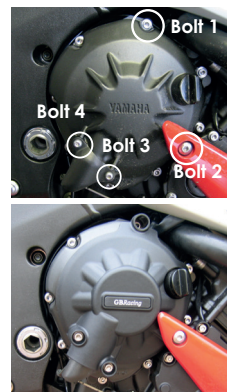
**SECONDARY ALTERNATOR COVER – PART NO. EC-R1-2007-1-GBR**

- 1 Remove the Belly Pan (Not Applicable for FZ8/FZ1).
- 2 Remove 3 off existing bolts on the stock aluminium Alternator cover, corresponding to the STOCK Secondary Engine Alternator Cover. Shown as bolt positions 1,2 & 3.  
Note: Retain the steel bracket found at Bolt Position 1, in place.  
(If bracket is not present use M6 washers to space accordingly).
- 3 Place the Secondary Engine Alternator cover over the stock aluminium alternator cover. Loosely screw down Bolt 1, lining up the Steel Bracket, then the remaining Bolts as supplied, M6x35mm Cap Head Bolts.
- 4 Tighten all 3 bolts to a torque of 10 N/m as per Manufacturer's recommendations.  
DO NOT OVERTIGHTEN
- 5 Refit the Belly Pan.



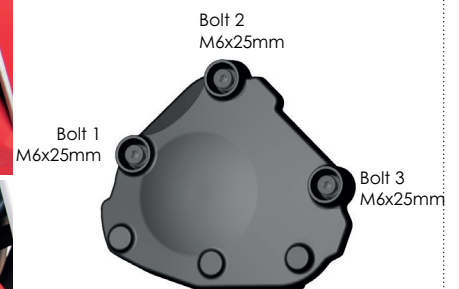
**SECONDARY CLUTCH COVER – PART NO. EC-R1-2007-2-GBR**

- 1 Remove the Belly Pan, retaining Stock Bolt 2.
- 2 Remove 3 off existing bolts on the aluminium Clutch cover, corresponding to the Secondary Engine Clutch Cover. Shown as bolt positions 1,3 & 4.
- 3 Place the Secondary Engine Clutch Cover over the stock aluminium clutch cover, making sure that the clutch arm extension cover is held in place.  
Loosely screw down Bolt position 1 using the supplied M6x45mm Bolt, then bolts 3 & 4 using the supplied M6 x 20mm bolts & M6 Washers.
- 4 Refit the Belly Pan & Bolt 2. **Note:** For Race Fairings, the rubber spacers from the Stock Fairing at Bolt Position 2 should be reused.
- 5 Tighten Bolts to a torque of 10 N/m as per manufacturer's recommendations.  
DO NOT OVERTIGHTEN



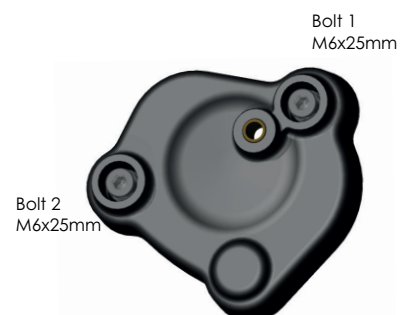
**SECONDARY PULSE COVER – PART NO. EC-R1-2007-3-GBR**

- 1 Remove the Belly Pan, retaining Stock Bolt 4.
- 2 Remove 3 off existing bolts on the aluminium Pulse cover, corresponding to the Secondary Engine Pulse Cover. Shown as bolt positions 1,2 & 3.
- 3 Holding back the fairing, place the Secondary Engine Pulse cover over the stock aluminium pulse cover. Loosely screw down Bolts 1, 2 & 3 using the supplied M6x25mm Bolts.
- 4 Tighten all 3 bolts to a torque of 10 N/m as per Manufacturer's recommendations.
- 5 Screw down the remaining stock Bolt 4, to tighten the fairing back.  
DO NOT OVERTIGHTEN



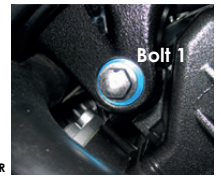
**SECONDARY CRANK COVER – KIT – PART NO. EC-R1-2007-4-GBR**

- 1 Remove the Belly Pan, retaining Stock Bolt 3.
- 2 Remove 2 off existing bolts on the aluminium Crank cover, corresponding to the Secondary Engine Crank Cover, shown as bolt positions 1 & 2. The Steel fairing bracket is no longer required.
- 3 Place the Secondary Engine Crank cover over the stock aluminium Crank cover. Loosely screw down Bolts 1 & 2 with the supplied M6x25mm bolts.
- 4 Tighten Bolts to a torque of 10 N/m as per Manufacturer's recommendations.  
DO NOT OVERTIGHTEN  
Note: For race fairings, the rubber spacers from the stock fairing at Bolt Position 3 should be reused.
- 5 Refit the fairing, securing Bolt 3 to the integrated M6 insert, thus negating the need for the stock steel fairing bracket.



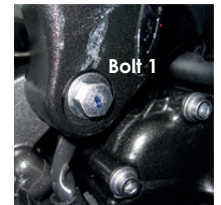
**FRAME SLIDERS / CRASH MUSHROOMS - RIGHT HAND SIDE - PART NO. CP-R1-2007-RHS-GBR**

- 1 Remove Fairing & Top Engine mounting bolt, shown at Bolt 1 position.  
*Note :- Retain the Blue Anodised Bush assembly.*
- 2 Assemble the Black Aluminium Bracket into Bolt Position 1 using the supplied M10 x 60mm bolt & M10 Washer, and re fit the Blue Anodised Bush assembly as shown below. Tighten the bolt to 48 Nm Torque, as per Manufacturer's recommendations. **DO NOT OVERTIGHTEN.**
- 3 Re assemble the fairing.
- 4 Assemble the Moulded Crash Mushroom CPF1-GBR to the Black Aluminium bracket, with the supplied M10 x 65mm A2 Stainless Steel Bolt. Tighten to 25 Nm Torque.



**FRAME SLIDERS / CRASH MUSHROOMS - LEFT HAND SIDE - PART NO. CP-R1-2007-LHS-GBR**

- 1 Remove Fairing & Top Engine mounting bolt, shown at Bolt 1 position.
- 2 Assemble the Black Aluminium Bracket into Bolt Position 1 using the supplied M10 x 60mm bolt & M10 Washer. Tighten bolt to 48 Nm Torque, as per Manufacturer's recommendations. **DO NOT OVERTIGHTEN.**
- 3 Re assemble the fairing.
- 4 Assemble the Moulded Crash Mushroom CPF1-GBR to the Black Aluminium bracket, with the supplied M10 x 65mm A2 Stainless Steel Bolt. Tighten to 25 Nm Torque.



**SETS & BUNDLES: Protection Bundle: CP-R1-2007-CS-GBR:** EC-R1-2007-1-GBR, EC-R1-2007-2-GBR, EC-R1-2007-3-GBR, CP-R1-2007-SET-GBR BA12-6-GBR-SET  
**Engine Cover Set: EC-R1-2007-SET-GBR:** EC-R1-2007-1-GBR, EC-R1-2007-2-GBR, EC-R1-2007-3-GBR