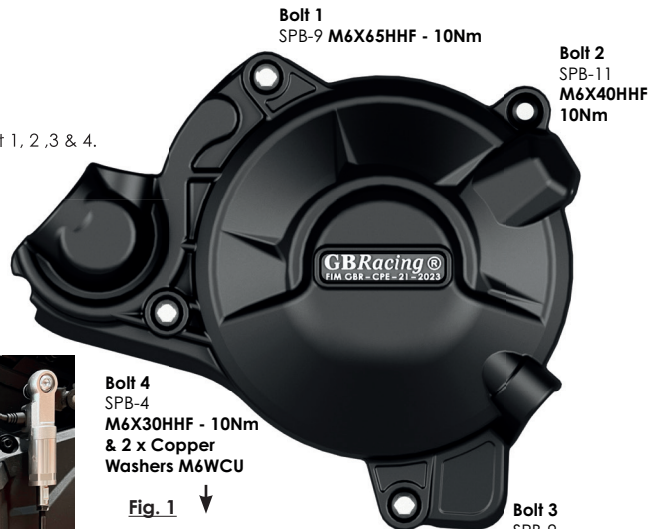
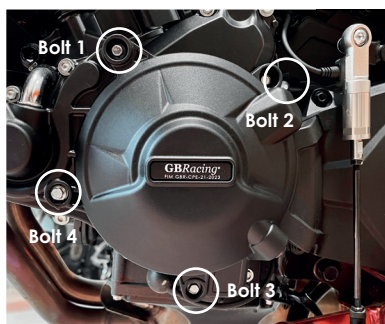
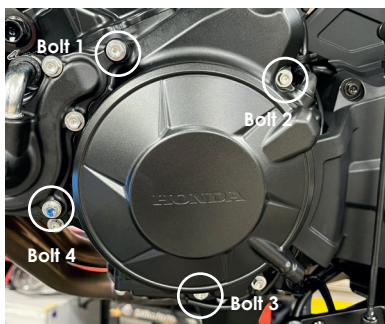


THIS SHEET INCLUDES FITTING INSTRUCTIONS FOR THE FOLLOWING PARTS:

Secondary Alternator Cover Part No. EC-CB750-2023-1-GBR / Secondary Clutch Cover Part No. EC-CB750-2023-2-GBR /  
 Secondary Pulse Cover Part No. EC-CB750-2023-3-GBR

**SECONDARY ALTERNATOR COVER**  
**PART NO. EC-CB750-2023-1-GBR**

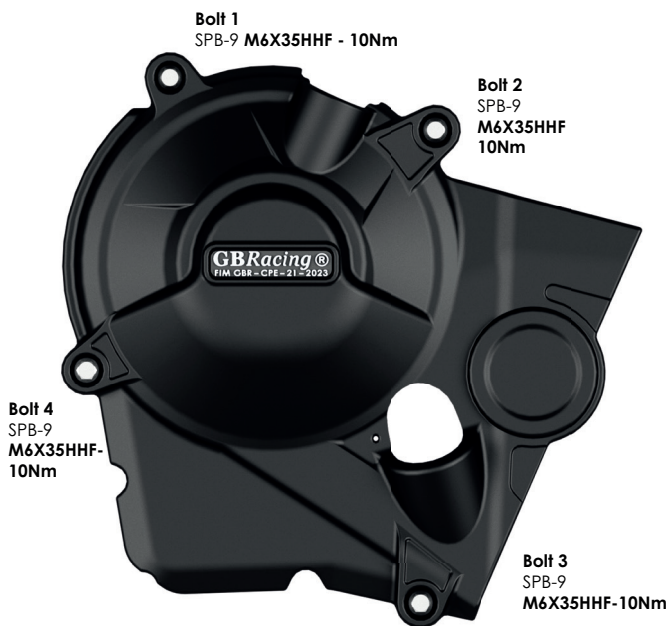
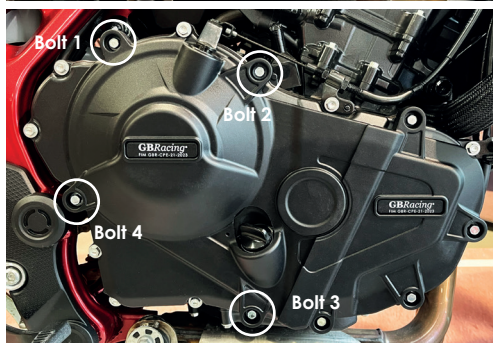
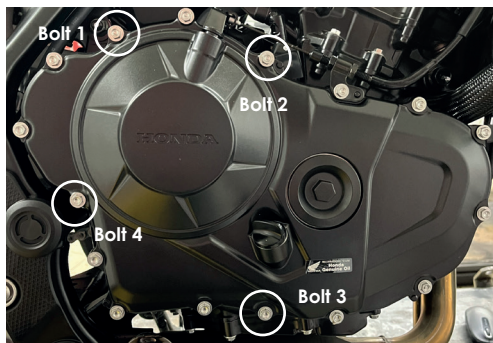
- 1 Ensure engine is cold.
- 2 Remove 4 existing bolts from the stock alternator cover, shown as position Bolt 1, 2, 3 & 4.  
*Note: When removing Bolt 4, a small amount of water will leak out. See Fig.1*
- 2 Place the secondary alternator cover over the stock cover.
- 3 Assemble 4 replacement bolts loosely in the correct positions as shown.
- 4 Tighten bolts to a Torque of 10Nm as per Manufacturer's recommendations in this order: Bolt 4, Bolt 2, Bolt 3 & finally Bolt 1.



- Bolt 1**  
 SPB-9 M6X65HHF - 10Nm
- Bolt 2**  
 SPB-11 M6X40HHF - 10Nm
- Bolt 3**  
 SPB-9 M6X35HHF - 10Nm
- Bolt 4**  
 SPB-4 M6X30HHF - 10Nm  
 & 2 x Copper Washers M6WCU
- Fig. 1**  
 Bolt  
 M6WCU Washer  
 St. S. Bush SPB4  
 OEM Washer

**SECONDARY CLUTCH COVER**  
**PART NO. EC-CB750-2023-2-GBR**

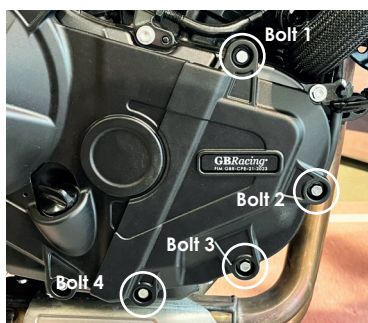
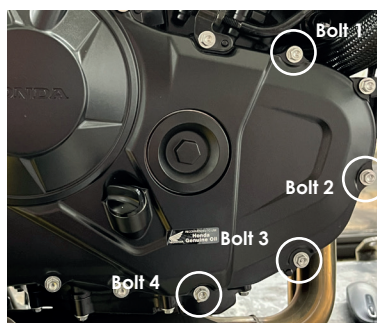
- 1 Remove 4 existing bolts from the stock clutch cover, shown as position Bolt 1, 2, 3 & 4.
- 2 Place the secondary clutch cover over the stock cover.
- 3 Assemble 4 replacement bolts loosely in the correct positions as shown.
- 4 Tighten bolts to a Torque of 10Nm as per Manufacturer's recommendations.  
 DO NOT OVERTIGHTEN.



- Bolt 1**  
 SPB-9 M6X35HHF - 10Nm
- Bolt 2**  
 SPB-9 M6X35HHF - 10Nm
- Bolt 3**  
 SPB-9 M6X35HHF - 10Nm
- Bolt 4**  
 SPB-9 M6X35HHF - 10Nm

SECONDARY PULSE COVER  
PART NO. EC-CB750-2023-3-GBR

- 1 Remove 4 existing bolts from the stock pulse cover, shown as position Bolt 1, 2, 3 & 4.
- 2 Place the secondary pulse cover over the stock cover.
- 3 Assemble 4 replacement bolts loosely in the correct positions as shown.
- 4 Tighten bolts to a Torque of 10Nm as per Manufacturer's recommendations.  
DO NOT OVERTIGHTEN.



Engine Cover Set: EC-CB750-2023-SET-GBR:

EC-CB750-2023-1-GBR, EC-CB750-2023-2-GBR, EC-CB750-2023-3-GBR