



# FITTING INSTRUCTIONS

TO BE FITTED BY A QUALIFIED TECHNICIAN



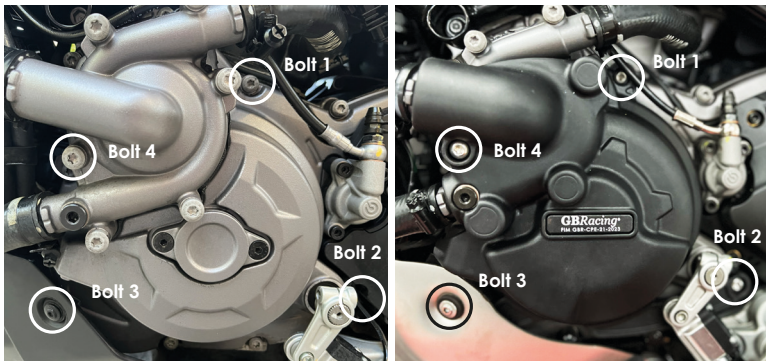
**HYPERMOTARD 950,  
950 SP, 950 RVE 2019-2025**

**THIS SHEET INCLUDES FITTING INSTRUCTIONS FOR THE FOLLOWING PARTS:**

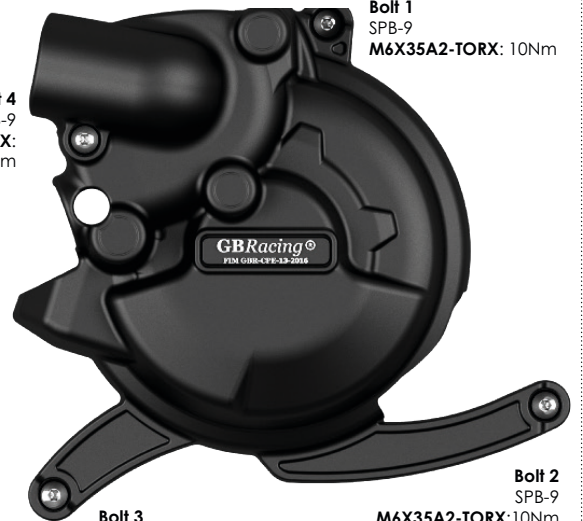
Secondary Alternator Cover Part No. EC-V2-950-2021-1-GBR / Secondary Clutch Cover Part No. EC-950SS-2021-2-GBR

## SECONDARY ALTERNATOR COVER PART NO. EC-V2-950-2021-1-GBR

- 1 Remove skid plate if fitted.
- 2 Remove the 4 standard bolts as shown as bolt position 1, 2, 3 & 4.
- 3 Place the secondary alternator cover over the standard alternator.
- 4 Insert the 4 supplied bolts and tighten to a maximum of 10Nm as per manufacturer's recommendations. **DO NOT OVERTIGHTEN**
- 5 Reinstall skid plate if fitted.



**Bolt 4**  
SPB-9  
**M6X35A2-TORX:**  
10Nm



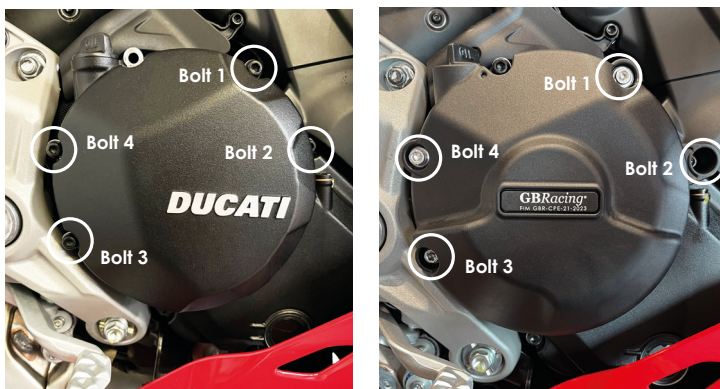
**Bolt 1**  
SPB-9  
**M6X35A2-TORX:** 10Nm

**Bolt 3**  
SPB-9  
**M6X35A2-TORX:**  
10Nm

**Bolt 2**  
SPB-9  
**M6X35A2-TORX:** 10Nm

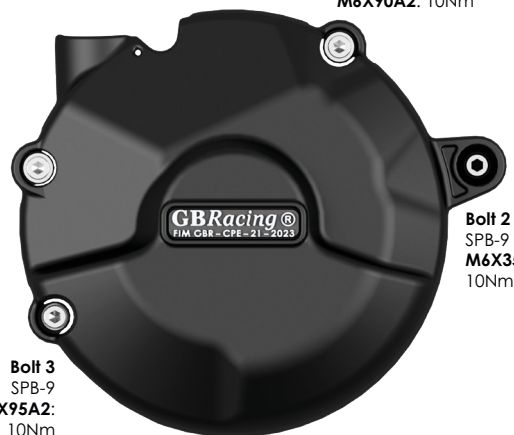
## SECONDARY CLUTCH COVER PART NO. EC-950SS-2021-2-GBR

- 1 Remove the 4 standard bolts as shown as bolt position 1, 2, 3 & 4.
- 2 Place the secondary clutch over the standard clutch.
- 3 Insert the 4 supplied bolts and tighten to a maximum of 10Nm as per manufacturer's recommendations. **DO NOT OVERTIGHTEN**



**Bolt 4**  
SPB-4  
**M6X90A2:**  
10Nm

**Bolt 3**  
SPB-9  
**M6X95A2:**  
10Nm



**Bolt 1**  
SPB-4  
**M6X90A2:** 10Nm

**Bolt 2**  
SPB-9  
**M6X35A2:**  
10Nm