

THIS SHEET INCLUDES FITTING INSTRUCTIONS FOR THE FOLLOWING PARTS:

Secondary Alternator Cover Part No. EC-ST-1200-2021-1-GBR / Secondary Clutch Cover Part No. EC-ST-1200-2021-2-GBR /
 Secondary Pulse Cover Part No. EC-ST-1200-2021-3-GBR

Note: Manufacturer advises to use thread lock on all bolts.

SECONDARY ALTERNATOR COVER - PART NO. EC-ST-1200-2021-1-GBR

- 1 Remove bolts 4, 3, 2, 1 *in that order* - as shown in **Fig.1** from stock OE Alternator cover.
- 2 Place the Secondary Alternator Cover over the stock cover and assemble 4 replacement bolts 1, 2, 3, 4 *in that order*.
- 3 Tighten bolts to a Torque of 10 Nm as per manufacturer's recommendations. DO NOT OVERTIGHTEN.

Fig.1

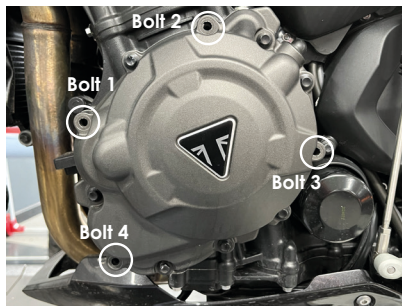
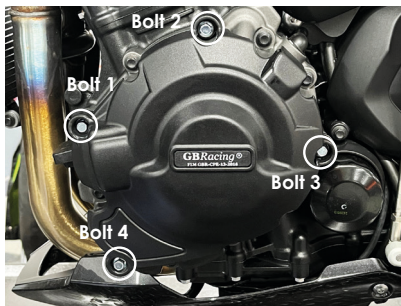
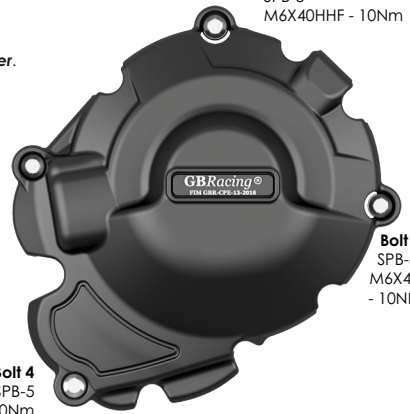


Fig.1



Bolt 1
 SPB-5
 M6X40HHF - 10Nm



Bolt 2
 SPB-5
 M6X40HHF - 10Nm

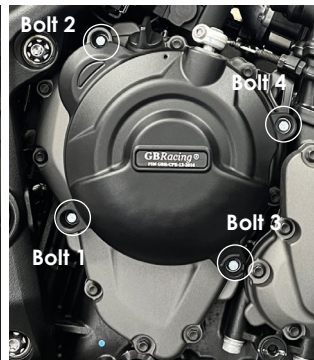
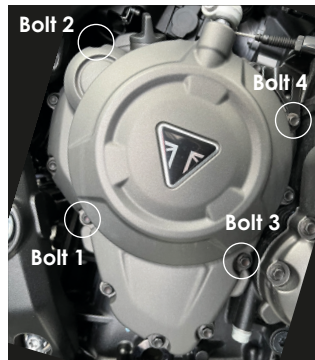
Bolt 3
 SPB-5
 M6X40HHF - 10Nm

Bolt 4
 SPB-5
 M6X40HHF - 10Nm

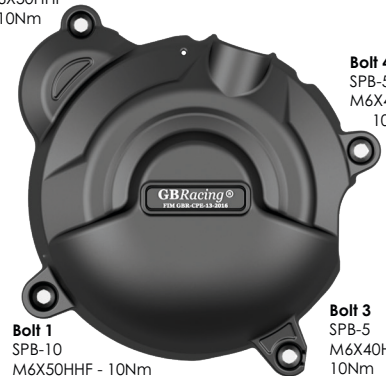
SECONDARY CLUTCH COVER PART NO. EC-ST-1200-2021-2-GBR

- 1 Remove bolts 4, 3, 2, 1 *in that order* - as shown in **Fig.1** from stock OE Clutch cover.
- 2 Place the Secondary Clutch Cover over the stock cover and assemble 4 replacement bolts 1, 2, 3, 4 *in that order*.
- 3 Tighten bolts to a Torque of 10 Nm as per manufacturer's recommendations. DO NOT OVERTIGHTEN.

Fig.1



Bolt 2
 SPB-10
 M6X50HHF - 10Nm



Bolt 4
 SPB-5
 M6X40HHF - 10Nm

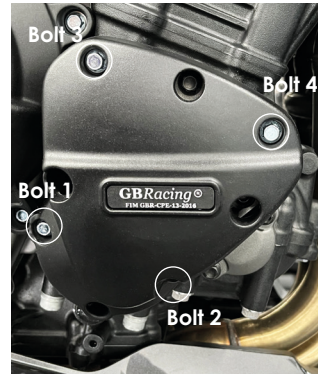
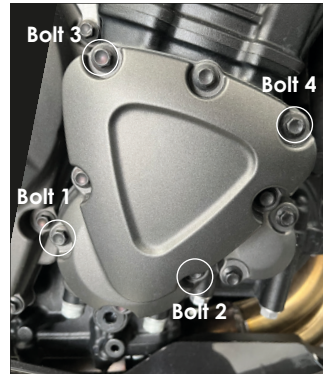
Bolt 1
 SPB-10
 M6X50HHF - 10Nm

Bolt 3
 SPB-5
 M6X40HHF - 10Nm

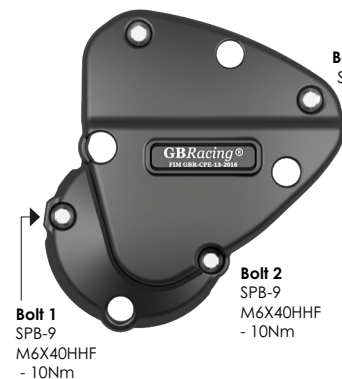
SECONDARY PULSE COVER PART NO. EC-ST-1200-2021-3-GBR

- 1 Remove bolts 4, 3, 2, 1 *in that order* - as shown in **Fig.1** from stock OE Pulse cover.
- 2 Place the Secondary Pulse Cover over the stock cover and assemble 4 replacement bolts 1, 2, 3, 4 *in that order*.
- 3 Tighten bolts to a Torque of 10 Nm as per manufacturer's recommendations. DO NOT OVERTIGHTEN.

Fig.1



Bolt 3
 SPB-9
 M6X40HHF - 10Nm



Bolt 4
 SPB-9
 M6X40HHF - 10Nm

Bolt 1
 SPB-9
 M6X40HHF - 10Nm

Bolt 2
 SPB-9
 M6X40HHF - 10Nm