



# FITTING INSTRUCTIONS

TO BE FITTED BY A QUALIFIED TECHNICIAN



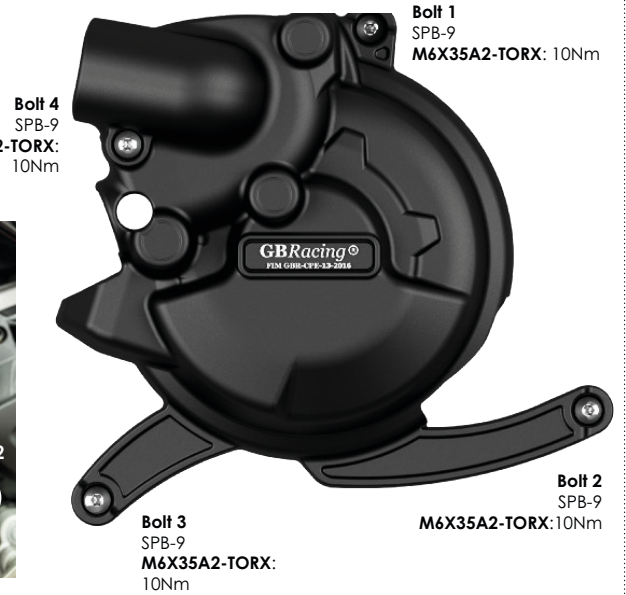
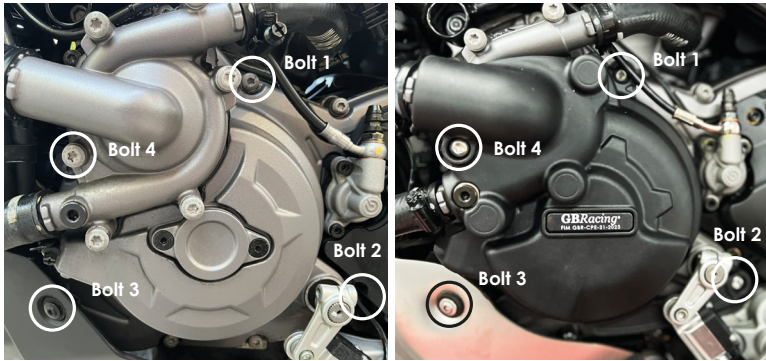
2021-2025 Multistrada V2 |  
DesertX | Monster + | Monster SP

THIS SHEET INCLUDES FITTING INSTRUCTIONS FOR THE FOLLOWING PARTS:  
Secondary Alternator Cover Part No. EC-V2-950-2021-1-GBR / Secondary Clutch Cover Part No. EC-V2-950-2021-2-GBR

## SECONDARY ALTERNATOR COVER PART NO. EC-V2-950-2021-1-GBR

Also fits models: **Hypermotard 950, 950 SP, 950 RVE 2019-2023**

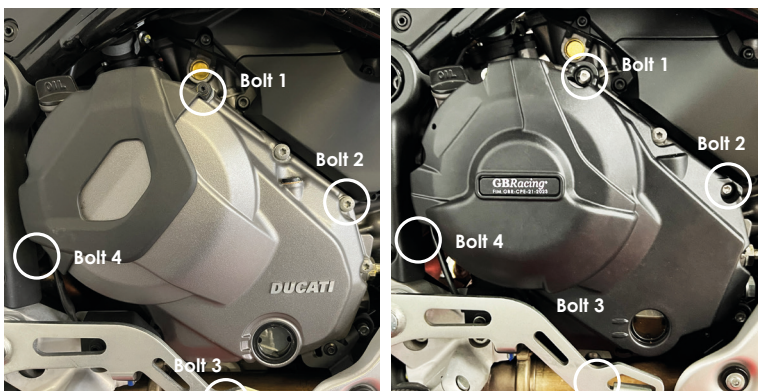
- 1 Remove skid plate if fitted.
- 2 Remove the 4 standard bolts as shown as bolt position 1, 2, 3 & 4.
- 3 Place the secondary alternator cover over the standard alternator.
- 4 Insert the 4 supplied bolts and tighten to a maximum of 10Nm as per manufacturer's recommendations. **DO NOT OVERTIGHTEN**
- 5 Reinstall skid plate if fitted.



## SECONDARY CLUTCH COVER PART NO. EC-V2-950-2021-2-GBR

**Please note:** If your model is fitted with a small plastic OE cover this will need to be removed before fitting the GBRacing secondary clutch cover.

- 1 Remove the 4 standard bolts as shown as bolt position 1, 2, 3 & 4.
- 2 Place the secondary clutch over the standard clutch.
- 3 Insert the 4 supplied bolts and tighten to a maximum of 10Nm as per manufacturer's recommendations. **DO NOT OVERTIGHTEN**



ENGINE COVER SET: Part No. EC-V2-950-2021-SET-GBR:  
EC-V2-950-2021-1-GBR, EC-V2-950-2021-2-GBR

[www.GBRacing.eu](http://www.GBRacing.eu)