

STOCK & KIT

THIS SHEET INCLUDES FITTING INSTRUCTIONS FOR THE FOLLOWING PARTS:

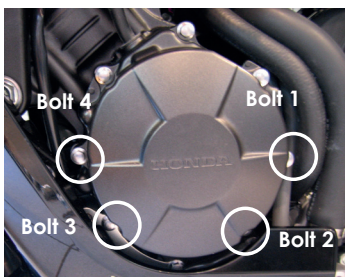
Secondary Alternator Cover Part No. EC-CBR600-2008-1-GBR / Secondary Alternator Cover KIT Part No. EC-CBR600-2008-1-K-GBR

Secondary Clutch Cover Part No. EC-CBR600-2008-2-GBR / Secondary Pulse Cover Part No. EC-CBR600-2008-3-GBR

SECONDARY ALTERNATOR COVER

PART NO. EC-CBR600-2008-1-GBR

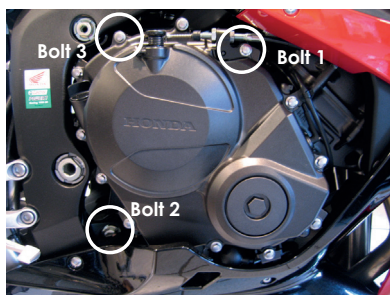
- 1 Remove 4 existing bolts from the stock Alternator cover, shown as position Bolt 1,2,3 & 4.
- 2 Place the Secondary Alternator Cover over the stock cover.
- 3 Assemble 4 replacement bolts loosely in the correct position as shown.
- 4 Tighten bolts to a Torque of 10Nm as per Manufacturer's recommendations. DO NOT OVERTIGHTEN.



SECONDARY CLUTCH COVER

PART NO. EC-CBR600-2008-2-GBR

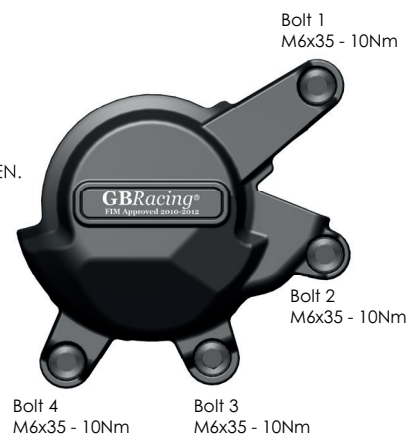
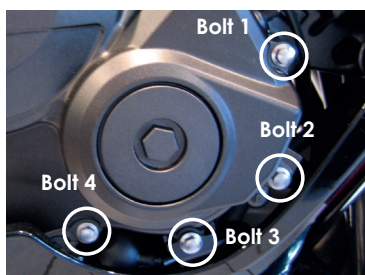
- 1 Remove 3 existing bolts from the stock Clutch cover, shown as position Bolt 1, 2 & 3.
- 2 Place the Secondary Clutch Cover over the stock cover.
- 3 Assemble 3 replacement bolts loosely in the correct position as shown.
- 4 Tighten bolts to a Torque of 10Nm as per Manufacturer's recommendations. DO NOT OVERTIGHTEN.



SECONDARY PULSE COVER

PART NO. EC-CBR600-2008-3-GBR

- 1 Remove 4 existing bolts from the stock Pulse cover, shown as position Bolt 1, 2, 3 & 4.
- 2 Place the Secondary Pulse Cover over the stock cover.
- 3 Assemble the 4 replacement bolts loosely in the correct position as shown.
- 4 Tighten bolts to a Torque of 10Nm as per Manufacturer's recommendations. DO NOT OVERTIGHTEN.

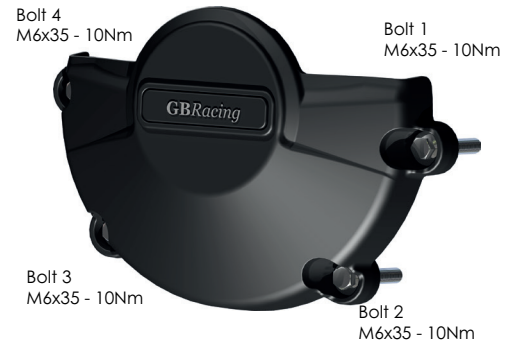
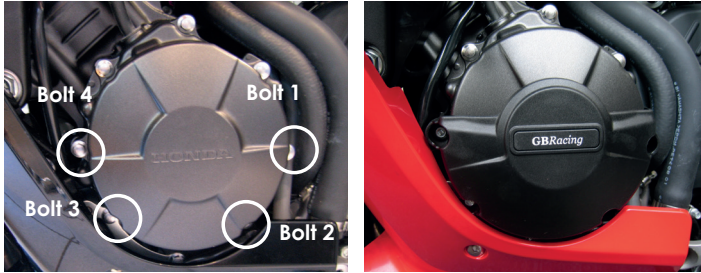


STOCK & KIT

SECONDARY ALTERNATOR COVER - KIT
PART NO. EC-CBR600-2008-1-K-GBR

KIT ONLY

- 1 Remove 4 existing bolts from the stock Alternator cover, shown as position Bolt 1,2,3 & 4.
- 2 Place the Secondary Alternator Cover over the stock cover.
- 3 Assemble 4 replacement bolts loosely in the correct position as shown.
- 4 Tighten bolts to a Torque of 10Nm as per Manufacturer's recommendations.
DO NOT OVERTIGHTEN.



SETS & BUNDLES

Protection Bundles:

CP-CBR600-2008-CS-GBR

EC-CBR600-2008-1-GBR, EC-CBR600-2008-2-GBR, EC-CBR600-2008-3-GBR, CGA10-GBR, BA12-8-GBR-SET

CP-CBR600-2008-CS-K-GBR (KIT)

EC-CBR600-2008-1-K-GBR, EC-CBR600-2008-2-GBR, EC-CBR600-2008-3-GBR, CGA10-GBR, BA12-8-GBR-SET

Engine Cover Sets:

EC-CBR600-2008-SET-GBR

EC-CBR600-2008-1-GBR, EC-CBR600-2008-2-GBR, EC-CBR600-2008-3-GBR

EC-CBR600-2008-SET-K-GBR (KIT)

EC-CBR600-2008-1-K-GBR, EC-CBR600-2008-2-GBR, EC-CBR600-2008-3-GBR